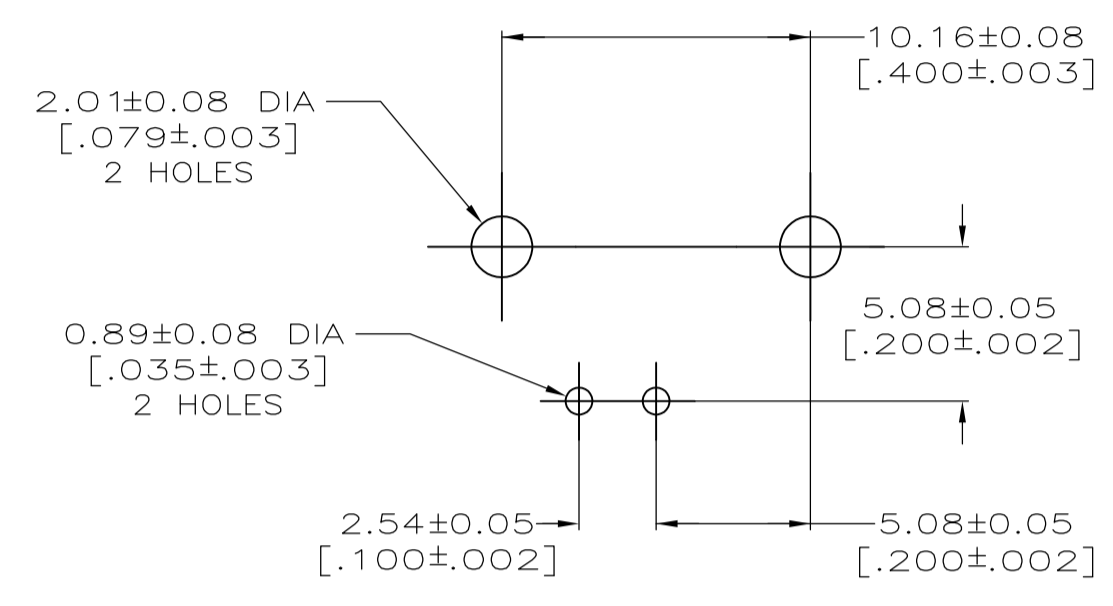
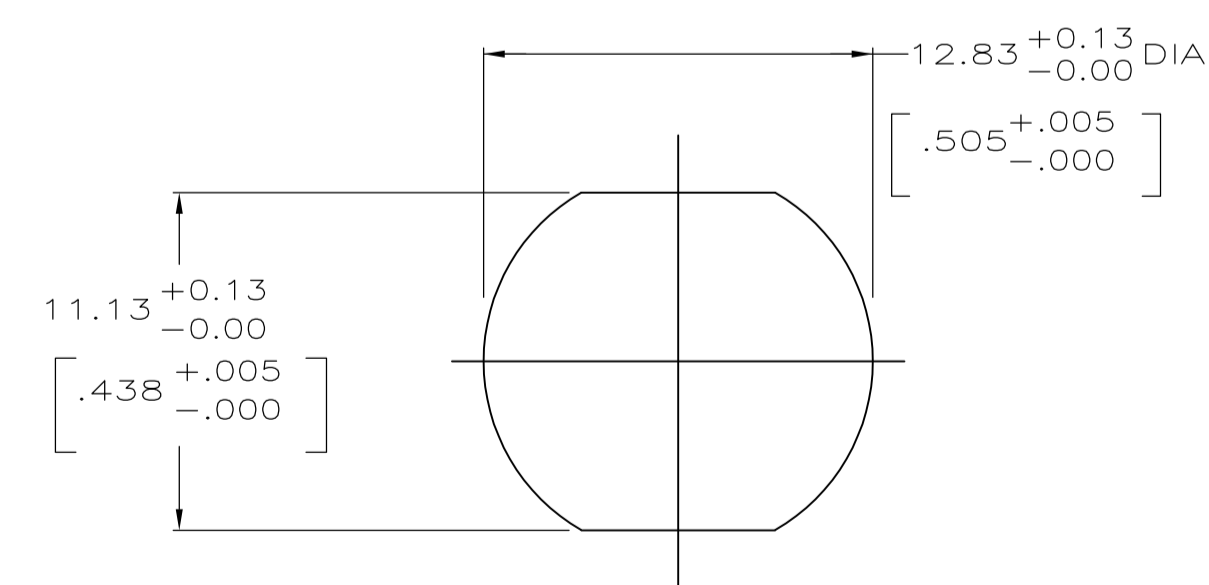
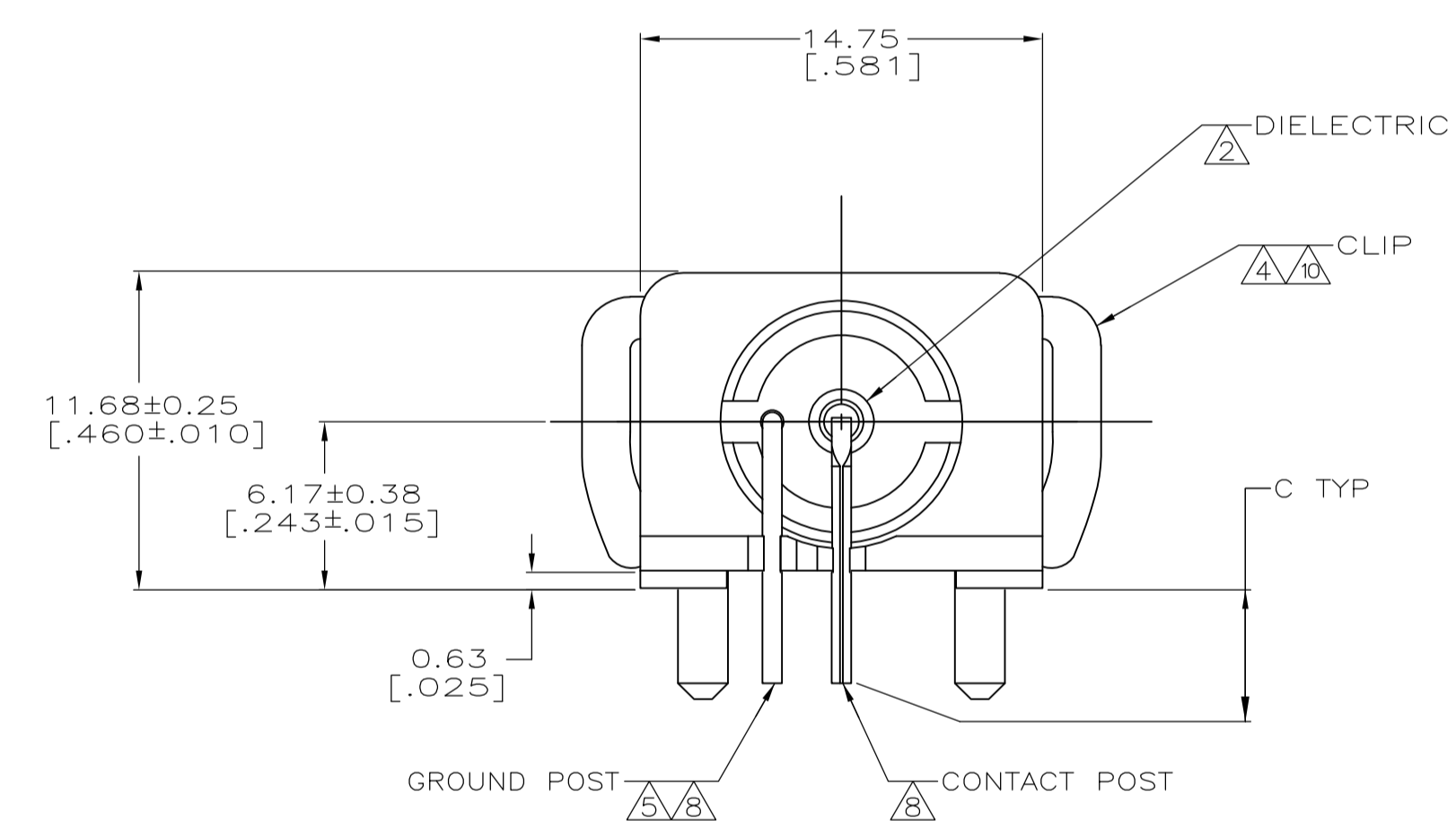


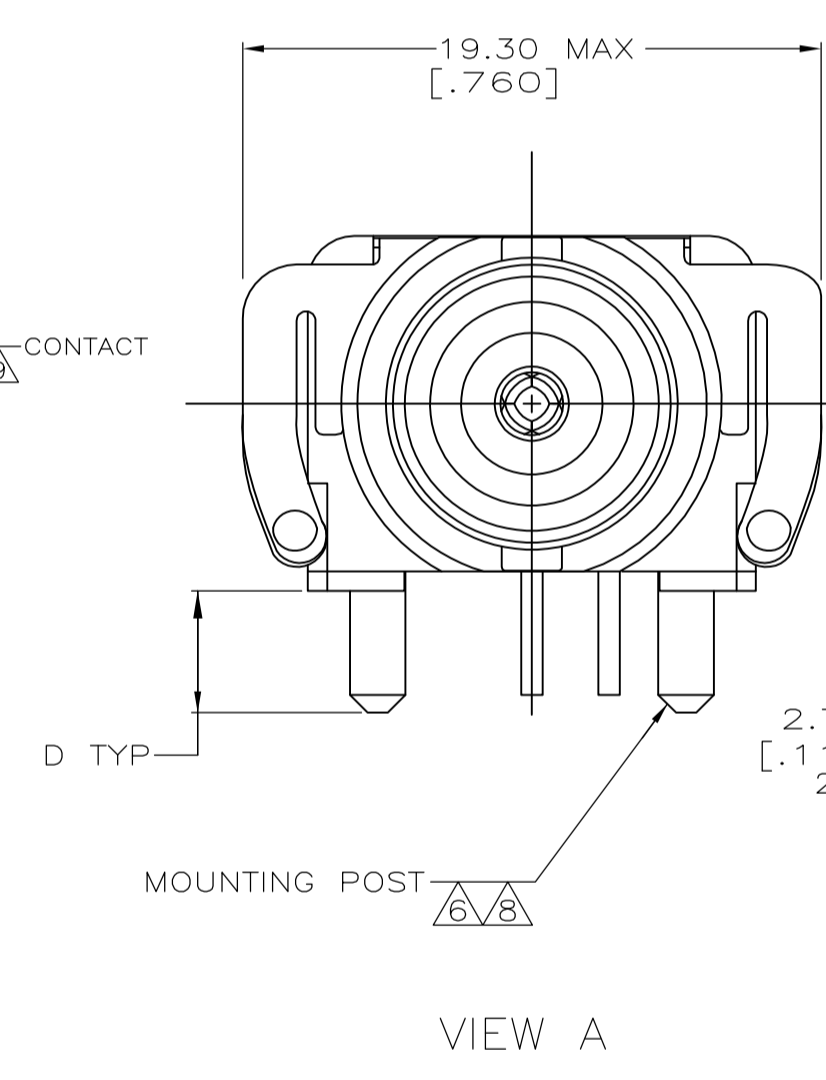
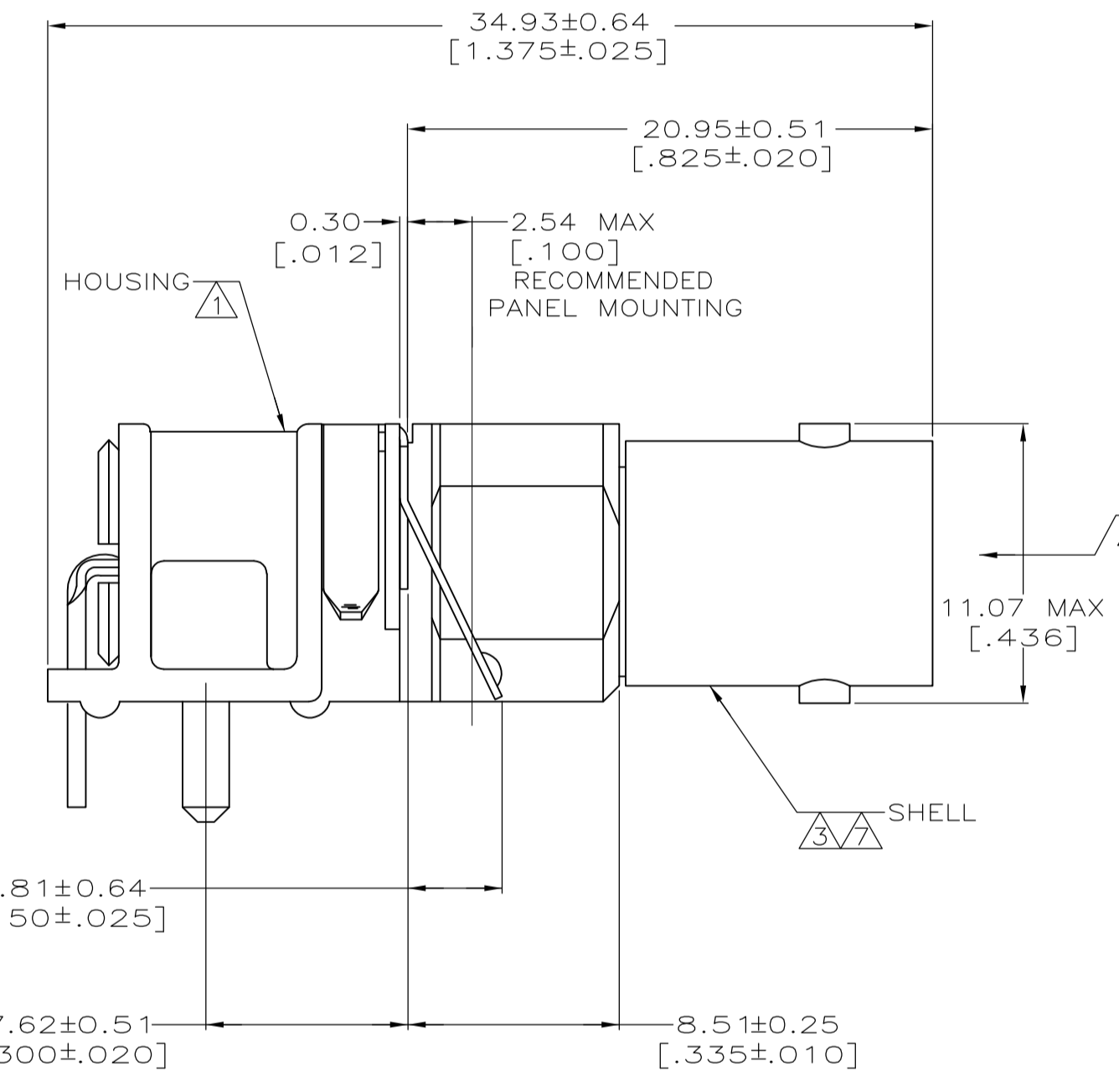
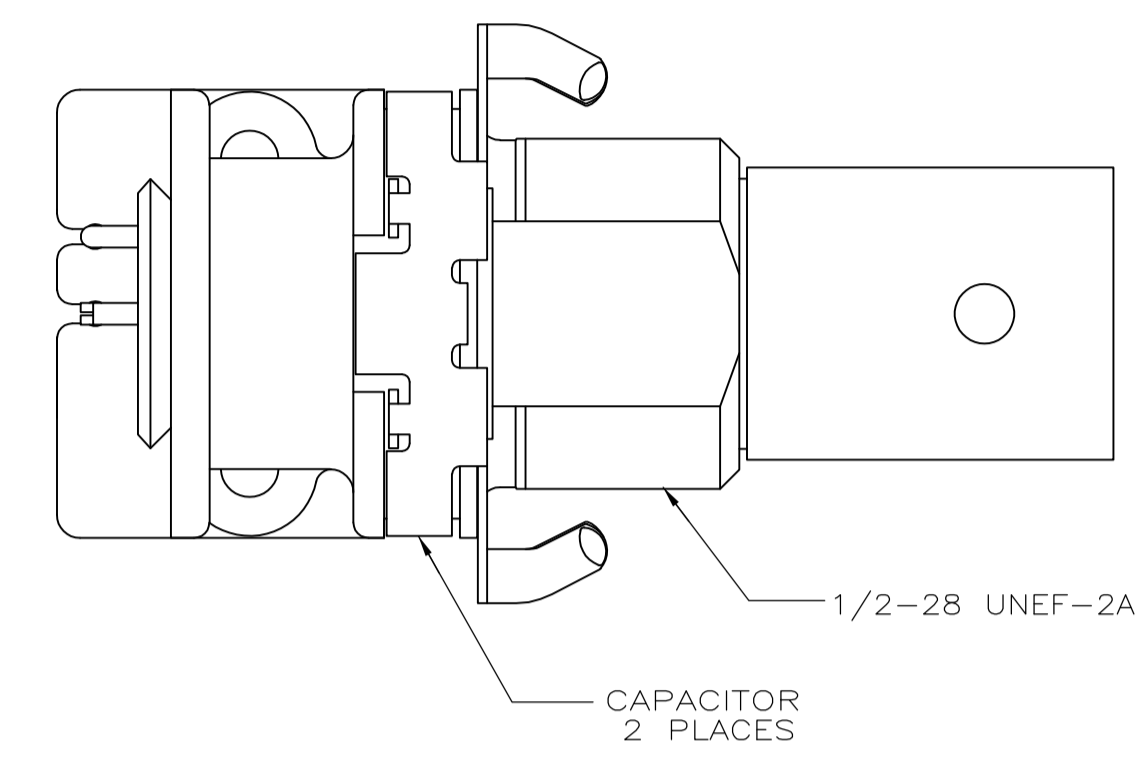
- 1 POLYESTER PBT PER MIL-M-24519, TYPE GPT-15F, UL94V-0 RATED, COLOR:BLACK
- 2 POLYMETHYLPENTENE, GENERAL PURPOSE.
- 3 ZINC PER QQ-Z-363.
- 4 PHOSPHOR BRONZE PER QQ-B-750.
- 5 BRASS PER ASTM B 453.
- 6 BRASS PER ASTM B 16.
- 7 NICKEL PLATE PER QQ-N-290, 3.81 μm [.000150] MINIMUM THICK.
- 8 TIN PLATE PER ASTM B 545.
- 9 GOLD PLATE PER ASTM B 488, 0.08 μm [.000003] MINIMUM THICK.
- 10 NICKEL PLATE PER QQ-N-290.
- 11. SEE INSTRUCTION SHEET 408-2769.
- 12. CAPACITANCE: 9400 pf
VOLTAGE: 1500 VDC.
- 13 TRAY PACKAGING.



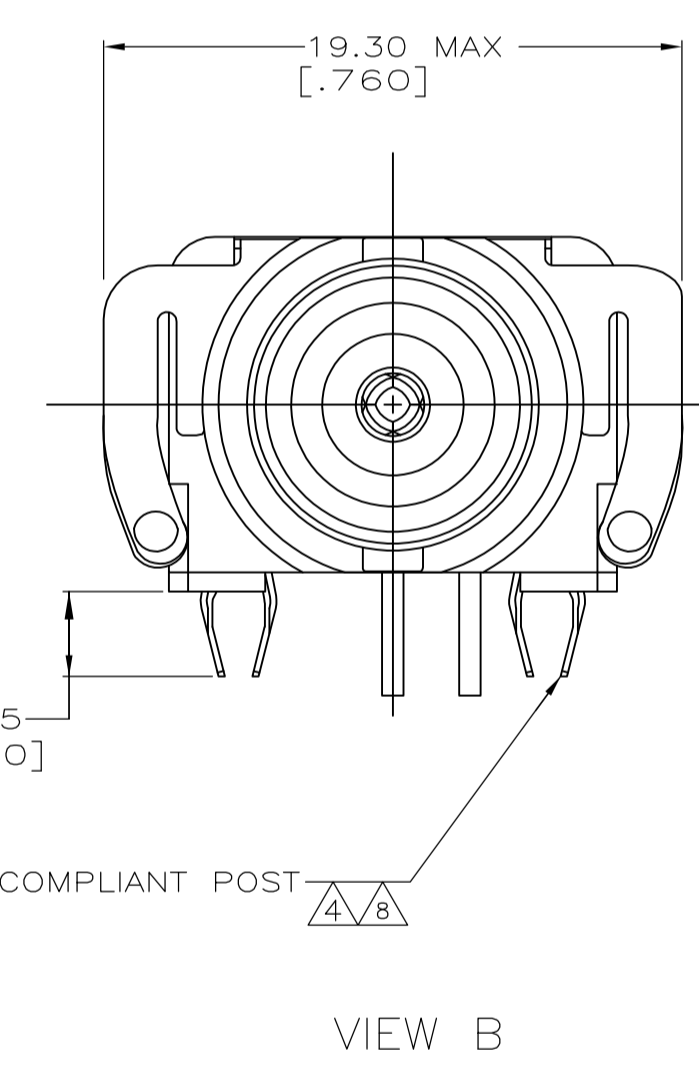
PCB CONFIGURATION



RECOMMENDED PANEL CUTOUT



VIEW A



VIEW B

D	4.01±0.25 [.158±.010]	3.43±0.38 [.135±.015]	A	5415103-4
	2.03±0.13 [.080±.005]	2.79±0.25 [.110±.010]	A	5415103-3
	-	3.43±0.38 [.135±.015]	B	5415103-2
	4.01±0.25 [.158±.010]	3.43±0.38 [.135±.015]	A	5415103-1
			VIEW	PART NUMBER

THIS DRAWING IS A CONTROLLED DOCUMENT.		DIN J. ALCORTA - 04-27-05 DOCK 5		Tyco Electronics Corporation Harrisburg, PA 17105-3608	
DIMENSIONS: mm [INCHES]		TOLERANCES UNLESS OTHERWISE SPECIFIED:		Tyco Electronics	
<ul style="list-style-type: none"> 0 PLC ± - 1 PLC ± - 2 PLC ± 0.20 [.008] 3 PLC ± - 4 PLC ± - ANGLES ± - 		<ul style="list-style-type: none"> 0 PLC ± - 1 PLC ± - 2 PLC ± 0.20 [.008] 3 PLC ± - 4 PLC ± - ANGLES ± - 		APVD J. LIPPERT 27APR2005 NAME JACK, DECOUPLER, PCB, 75 OHM, RIGHT ANGLE, BNC PRODUCT SPEC APPLICATION SPEC SIZE CAGE CODE DRAWING NO WEIGHT A1 00779 C=5415103 RESTRICTED TO	
MATERIAL SEE NOTES 1 - 6		FINISH SEE NOTES 7 - 10		CUSTOMER DRAWING SCALE 4:1 SHEET 1 OF 1 REV C	